

V0324

805371

RACK BOX®

www.ban-air.com/products/rackbox

 **BAN AIR**

RACKBOX®

- The BANAIR RACKBOX Expeditionary Storage and Maintenance Container enables Expeditionary Storage and Maintenance activities
- 20ft Standard ISO Container with Cargo doors both sides, and Cargo doors in the middle
- Equipped with **multiple configurable storage module options** that are custom-made for **garrison & remote maintenance and storage missions**



EXPEDITIONARY STORAGE MAINTENANCE CONTAINERS



DEPLOYABLE



CONFIGURABLE



BUILT TO LAST





CONFIGURE MODULES TO MEET YOUR NEEDS

**BANAIR DMTSS™ SHELTER
+ RACKBOX® MAINTENANCE CONTAINERS**

Configure your own RACKBOX layout with our range of modules which can be tailored to your own specific needs.

- **BULK RACKING**
- **DRAWER MODULES**
- **WORKBENCHES**
- **WORKSTATIONS**

OPTIONAL INTERIOR EXTRAS:

- **CANTILEVERED CRANE - 1 TON**
- **AIR COMPRESSOR OPTIONS**
- **ELECTRICAL FIT OUT OPTIONS**

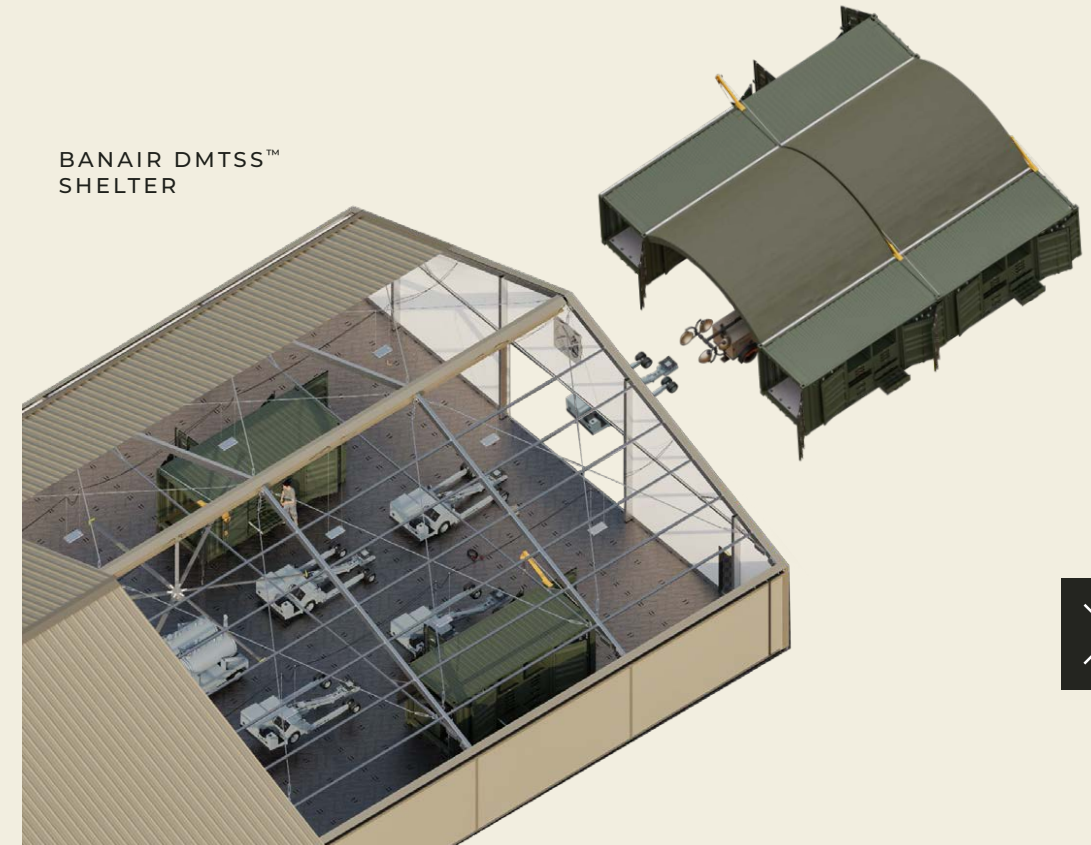


THE 20x20 RACKBOX SHELTER ALLOWS FOR AFFORDABLE, DURABLE, AND VERSATILE COVERAGE DESIGNED TO MAXIMIZE SPACE AND PROTECT GOODS, VEHICLES, AND MACHINES IN INCLEMENT WEATHER.

EXPEDITIONARY SOLUTIONS

RACKBOX®
MAINTENANCE SHELTER

BANAIR DMTSS™
SHELTER



OPTIONAL EXTERIOR EXTRAS:

- **CANTILEVERED CRANE - 1 TON**
- **20X20 SHELTER**

Contact us for more details at sales@ban-air.com



PLS COMPATIBLE

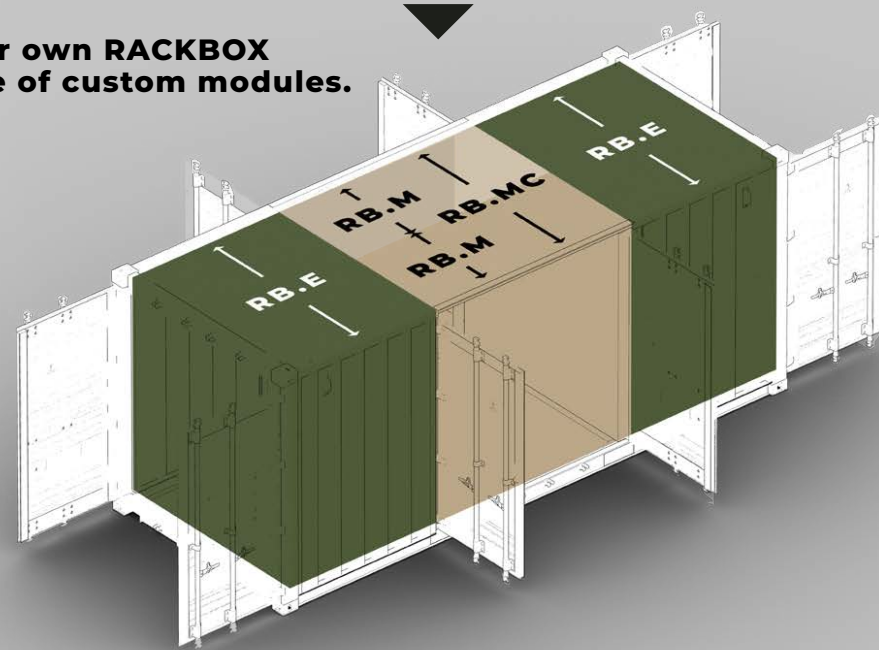


**NO NEED FOR CONTAINER
LEVELLING FOR OPERATION**



RACKBOX[®] CONFIGURATION

Configure your own RACKBOX with our range of custom modules.



END MODULES

RB.E##

END MODULES WORK BY BEING ACCESSED FROM THE END CARGO DOORS ONLY. ANY RB.E MODULE CAN FIT IN EITHER END.

MID MODULES

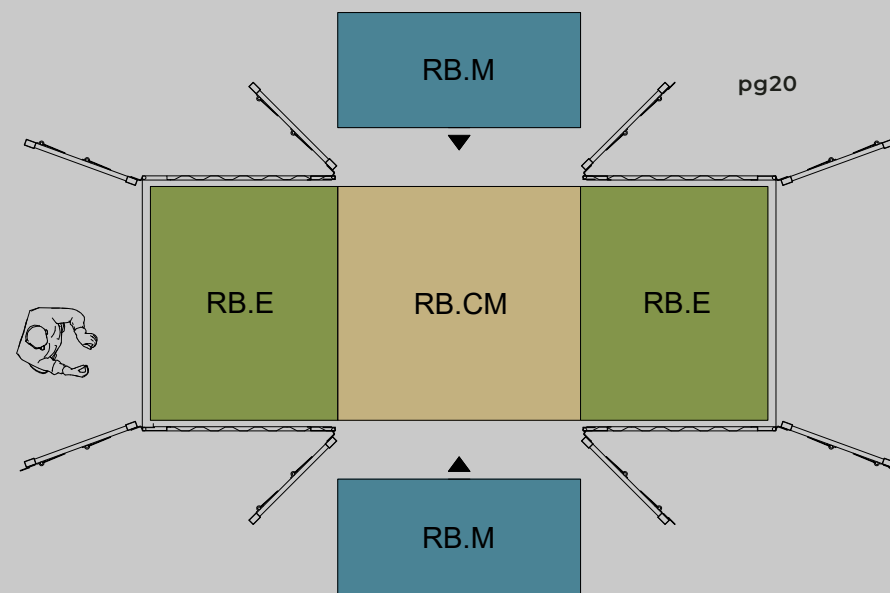
RB.M##

MID MODULES WORK BY BEING ACCESSED FROM ONE SIDE CARGO DOORS ONLY. x1 FOR EACH SIDE

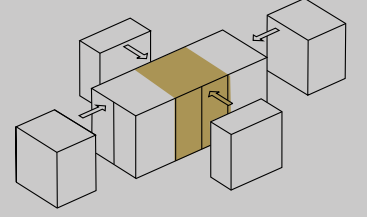
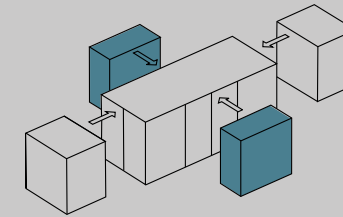
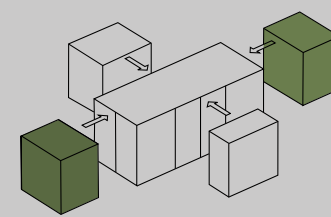
COMBINED MID

RB.CM##

COMBINED MID MODULES WORK BY USING THE ENTIRE MIDDLE SPACE OF THE RACKBOX AND ACCESSED FROM EITHER SIDE

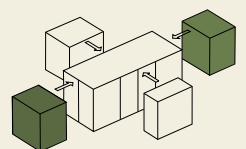


SECURELY FIXED MODULES



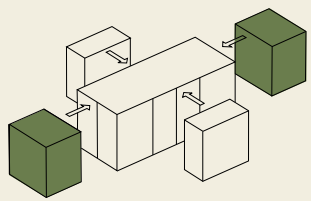


1/ END MODULES



END MODULES

END MODULES WORK BY BEING ACCESSED FROM THE END CARGO DOORS ONLY.
ANY RB.E MODULE CAN FIT IN EITHER END.



RB-E.01

BULKRACK -

RB.88.70BR
(88"W x 70"D x BULKRACK)

QTY

1

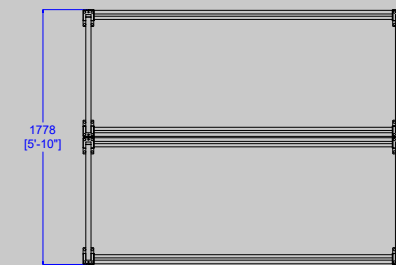
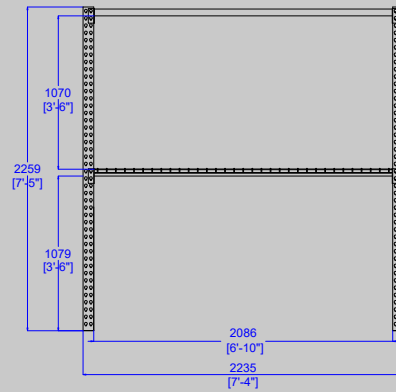
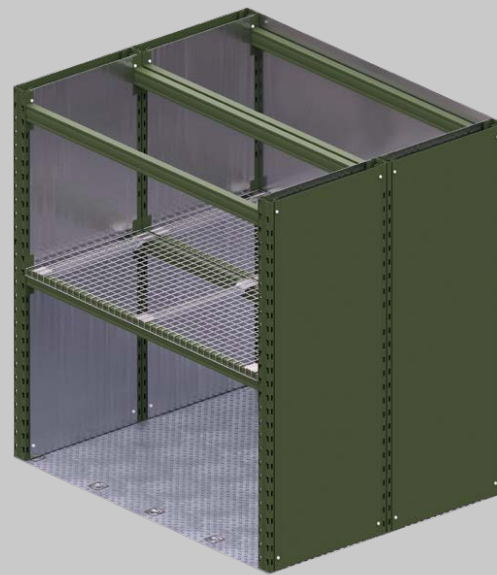
RB.88.70BRP
(88"W x 70"D x PLATFORM)

1

RB.88.70CP
(88"W x 70"D x CHECKERPLATE)

1

CAPACITY PER PLATFORM - 2000lbs



RB-E.03

BULKRACK -

RB.88.70BR
(88"W x 70"D x BULKRACK)

QTY

1

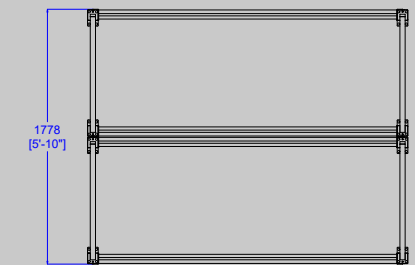
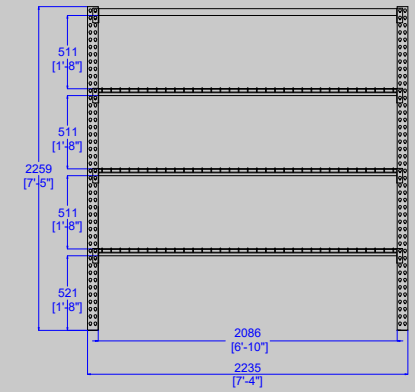
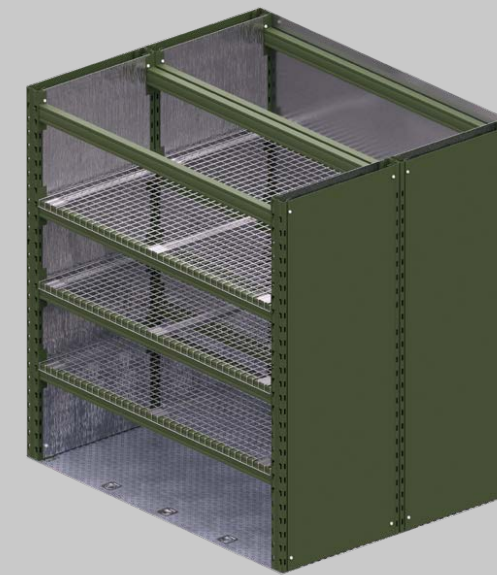
RB.88.70BRP
(88"W x 70"D x PLATFORM)

3

RB.88.70CP
(88"W x 70"D x CHECKERPLATE)

1

CAPACITY PER PLATFORM - 2000lbs



RB-E.02

BULKRACK -

RB.88.70BR
(88"W x 70"D x BULKRACK)

QTY

1

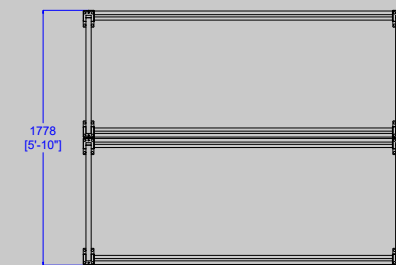
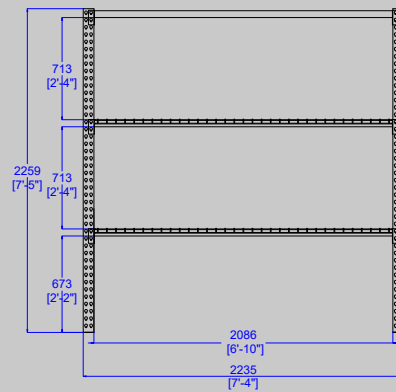
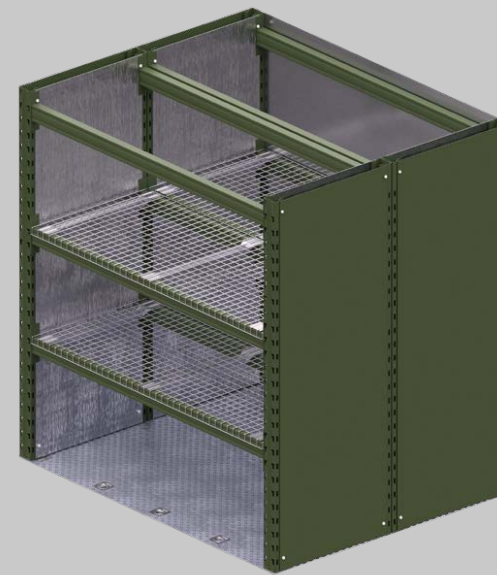
RB.88.70BRP
(88"W x 70"D x PLATFORM)

2

RB.88.70CP
(88"W x 70"D x CHECKERPLATE)

1

CAPACITY PER PLATFORM - 2000lbs



RB-E.04

BULKRACK -

RB.88.70BR
(88"W x 70"D x BULKRACK)

QTY

1

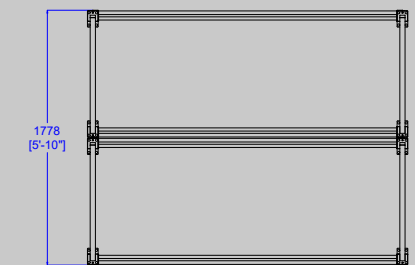
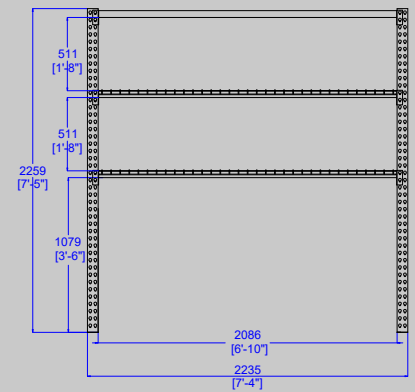
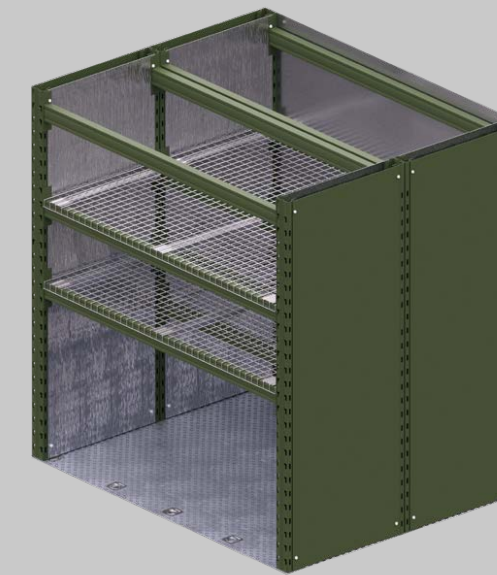
RB.88.70BRP
(88"W x 70"D x PLATFORM)

2

RB.88.70CP
(88"W x 70"D x CHECKERPLATE)

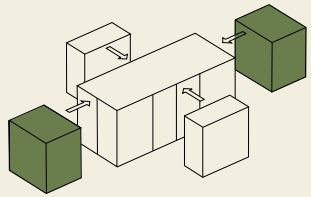
1

CAPACITY PER PLATFORM - 2000lbs



END MODULES

AS STANDARD OUR DRAWERS COME WITH EQUAL COMPARTMENT LAYOUTS. THESE CAN BE CONFIGURED TO YOUR REQUIREMENTS



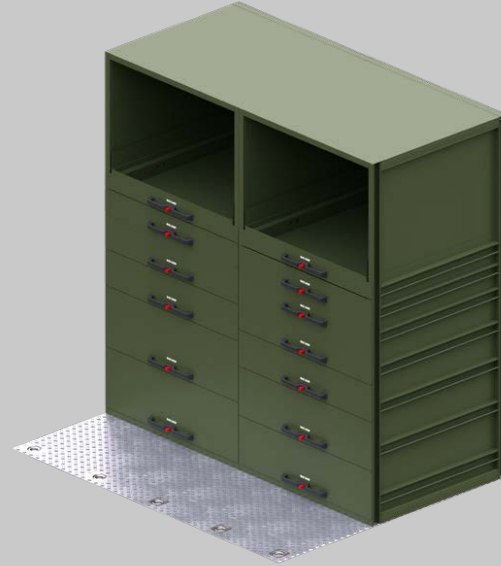
RB-E.05

LEFT SIDE -

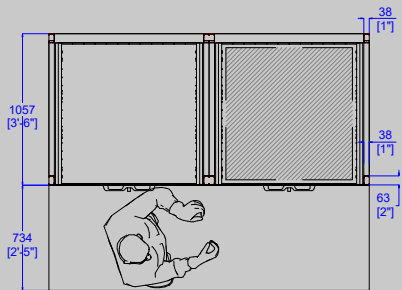
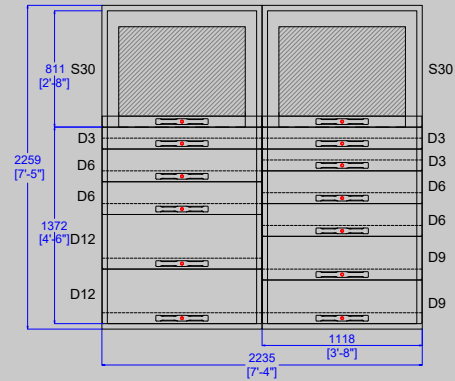
- | | QTY |
|---|------------|
| RB.40.40.S30
(40"W x 40"D x 30"H PULLOUT SHELF) | 1 |
| RB.40.40.D3
(40"W x 40"D x 3"H DRAWER) | 1 |
| RB.40.40.D6
(40"W x 40"D x 6"H DRAWER) | 2 |
| RB.40.40.D12
(40"W x 40"D x 12"H DRAWER) | 2 |

RIGHT SIDE -

- | | QTY |
|---|------------|
| RB.40.40.S30
(40"W x 40"D x 30"H PULLOUT SHELF) | 1 |
| RB.40.40.D3
(40"W x 40"D x 3"H DRAWER) | 2 |
| RB.40.40.D6
(40"W x 40"D x 6"H DRAWER) | 2 |
| RB.40.40.D9
(40"W x 40"D x 9"H DRAWER) | 2 |



RB.88.28CP
(88"W x 28"D x CHECKERPLATE)



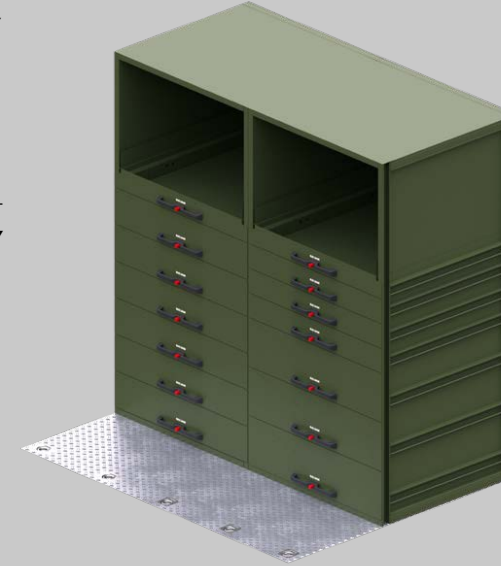
RB-E.07

LEFT SIDE -

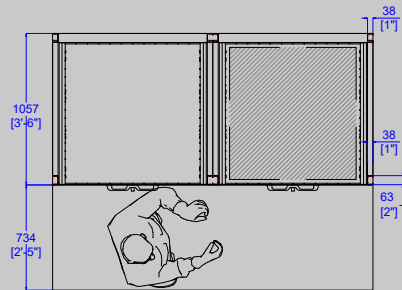
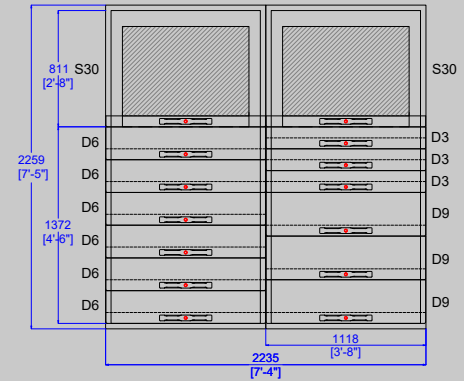
- | | QTY |
|---|------------|
| RB.40.40.S30
(40"W x 40"D x 30"H PULLOUT SHELF) | 1 |
| RB.40.40.D6
(40"W x 40"D x 6"H DRAWER) | 6 |

RIGHT SIDE -

- | | QTY |
|---|------------|
| RB.40.40.S30
(40"W x 40"D x 30"H PULLOUT SHELF) | 1 |
| RB.40.40.D3
(40"W x 40"D x 3"H DRAWER) | 3 |
| RB.40.40.D9
(40"W x 40"D x 9"H DRAWER) | 3 |



RB.88.28CP
(88"W x 28"D x CHECKERPLATE)



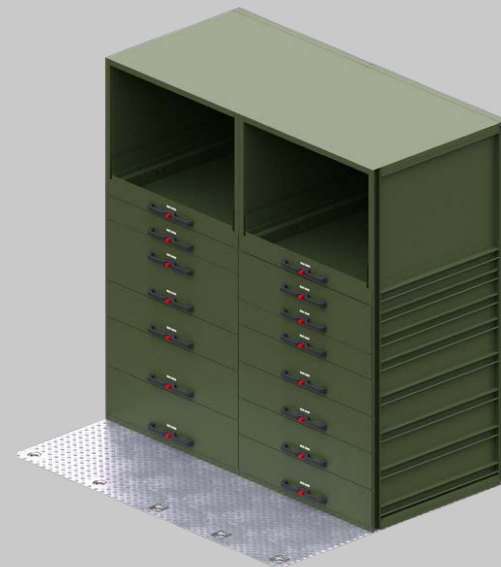
RB-E.06

LEFT SIDE -

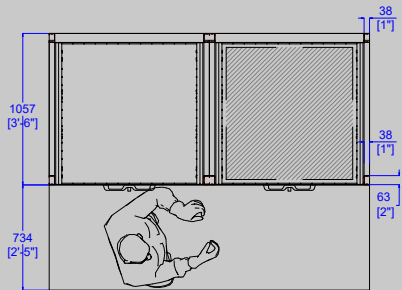
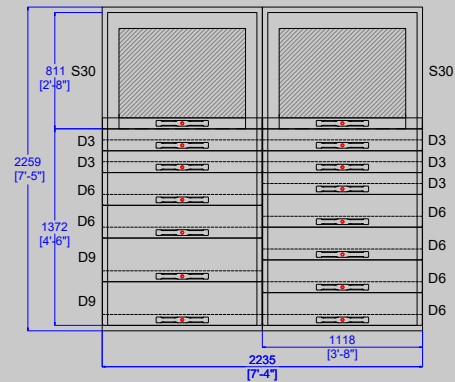
- | | QTY |
|---|------------|
| RB.40.40.S30
(40"W x 40"D x 30"H PULLOUT SHELF) | 1 |
| RB.40.40.D3
(40"W x 40"D x 3"H DRAWER) | 2 |
| RB.40.40.D6
(40"W x 40"D x 6"H DRAWER) | 2 |
| RB.40.40.D9
(40"W x 40"D x 9"H DRAWER) | 2 |

RIGHT SIDE -

- | | QTY |
|---|------------|
| RB.40.40.S30
(40"W x 40"D x 30"H PULLOUT SHELF) | 1 |
| RB.40.40.D3
(40"W x 40"D x 3"H DRAWER) | 3 |
| RB.40.40.D6
(40"W x 40"D x 6"H DRAWER) | 4 |



RB.88.28CP
(88"W x 28"D x CHECKERPLATE)



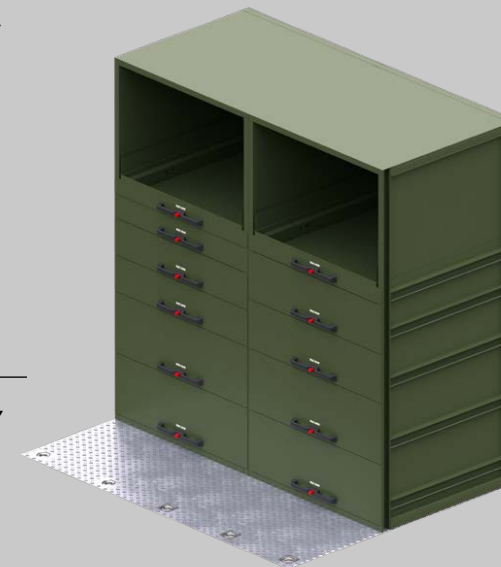
RB-E.08

LEFT SIDE -

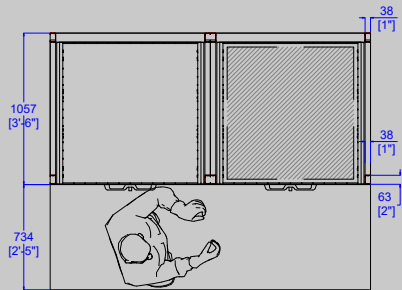
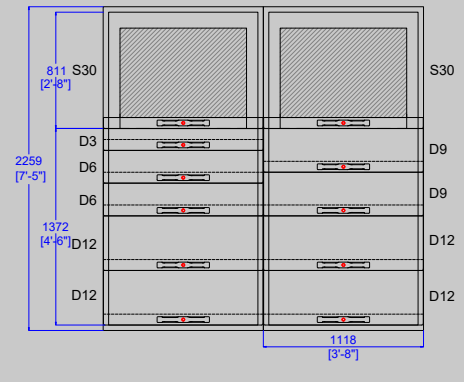
- | | QTY |
|---|------------|
| RB.40.40.S30
(40"W x 40"D x 30"H PULLOUT SHELF) | 1 |
| RB.40.40.D3
(40"W x 40"D x 3"H DRAWER) | 1 |
| RB.40.40.D6
(40"W x 40"D x 6"H DRAWER) | 2 |
| RB.40.40.D12
(40"W x 40"D x 12"H DRAWER) | 2 |

RIGHT SIDE -

- | | QTY |
|---|------------|
| RB.40.40.S30
(40"W x 40"D x 30"H PULLOUT SHELF) | 1 |
| RB.40.40.D9
(40"W x 40"D x 9"H DRAWER) | 2 |
| RB.40.40.D12
(40"W x 40"D x 12"H DRAWER) | 2 |

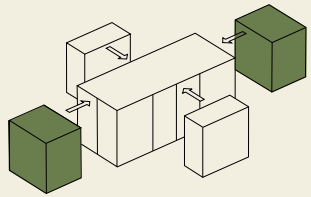


RB.88.28CP
(88"W x 28"D x CHECKERPLATE)



END MODULES

AS STANDARD OUR DRAWERS COME WITH EQUAL COMPARTMENT LAYOUTS. THESE CAN BE CONFIGURED TO YOUR REQUIREMENTS



RB-E.09

LEFT SIDE -

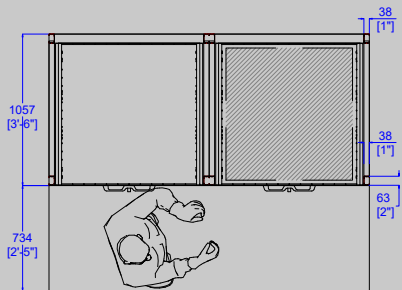
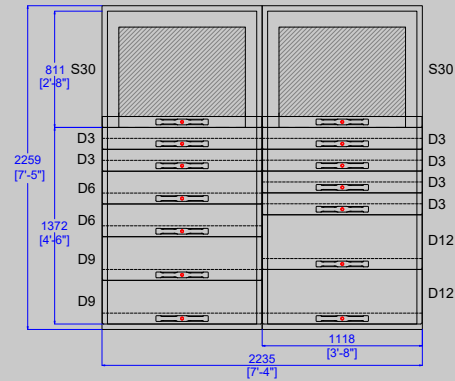
- | | QTY |
|---|-----|
| RB.40.40.S30
(40"W x 40"D x 30"H PULLOUT SHELF) | 1 |
| RB.40.40.D3
(40"W x 40"D x 3"H DRAWER) | 2 |
| RB.40.40.D6
(40"W x 40"D x 6"H DRAWER) | 2 |
| RB.40.40.D9
(40"W x 40"D x 9"H DRAWER) | 2 |

RIGHT SIDE -

- | | QTY |
|---|-----|
| RB.40.40.S30
(40"W x 40"D x 30"H PULLOUT SHELF) | 1 |
| RB.40.40.D3
(40"W x 40"D x 3"H DRAWER) | 4 |
| RB.40.40.D12
(40"W x 40"D x 12"H DRAWER) | 2 |



RB.88.28CP
(88"W x 28"D x CHECKERPLATE)



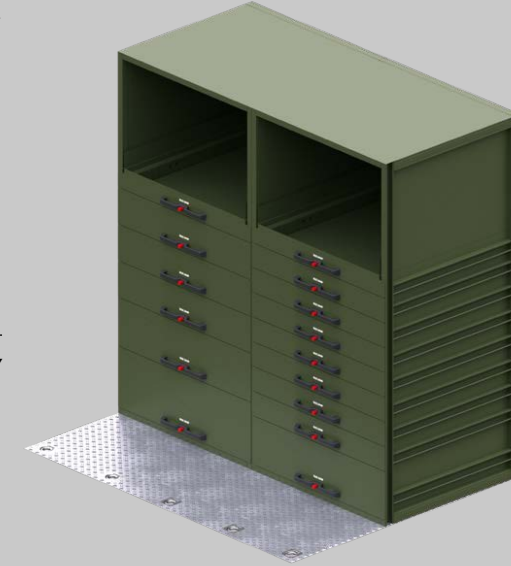
RB-E.11

LEFT SIDE -

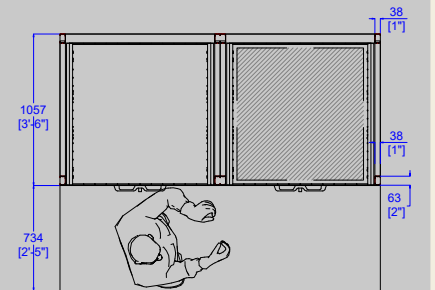
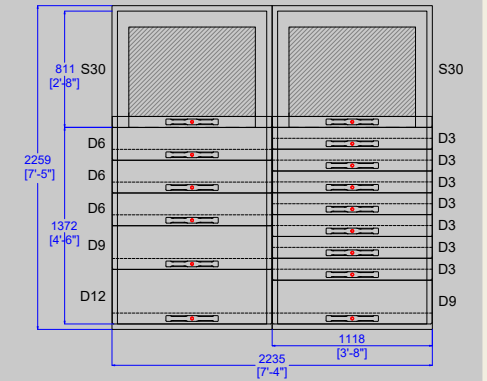
- | | QTY |
|---|-----|
| RB.40.40.S30
(40"W x 40"D x 30"H PULLOUT SHELF) | 1 |
| RB.40.40.D6
(40"W x 40"D x 6"H DRAWER) | 3 |
| RB.40.40.D9
(40"W x 40"D x 9"H DRAWER) | 1 |
| RB.40.40.D12
(40"W x 40"D x 12"H DRAWER) | 1 |

RIGHT SIDE -

- | | QTY |
|---|-----|
| RB.40.40.S30
(40"W x 40"D x 30"H PULLOUT SHELF) | 1 |
| RB.40.40.D3
(40"W x 40"D x 3"H DRAWER) | 7 |
| RB.40.40.D9
(40"W x 40"D x 9"H DRAWER) | 1 |



RB.88.28CP
(88"W x 28"D x CHECKERPLATE)



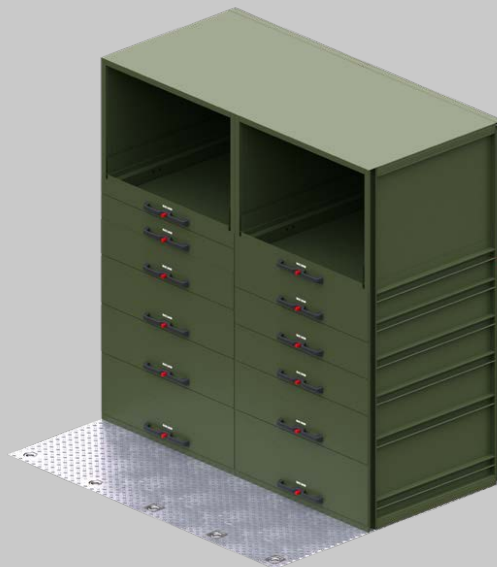
RB-E.10

LEFT SIDE -

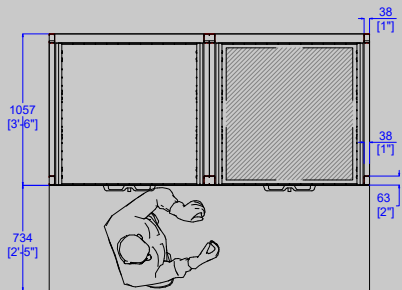
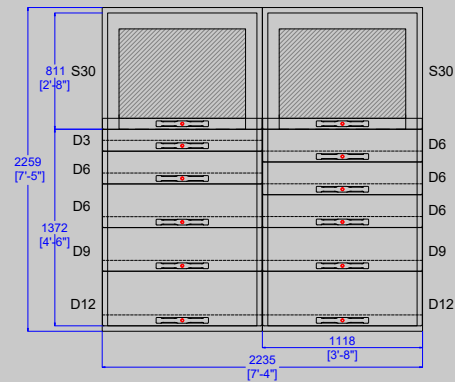
- | | QTY |
|---|-----|
| RB.40.40.S30
(40"W x 40"D x 30"H PULLOUT SHELF) | 1 |
| RB.40.40.D3
(40"W x 40"D x 3"H DRAWER) | 1 |
| RB.40.40.D6
(40"W x 40"D x 6"H DRAWER) | 2 |
| RB.40.40.D9
(40"W x 40"D x 9"H DRAWER) | 1 |
| RB.40.40.D12
(40"W x 40"D x 12"H DRAWER) | 1 |

RIGHT SIDE -

- | | QTY |
|---|-----|
| RB.40.40.S30
(40"W x 40"D x 30"H PULLOUT SHELF) | 1 |
| RB.40.40.D6
(40"W x 40"D x 6"H DRAWER) | 3 |
| RB.40.40.D9
(40"W x 40"D x 9"H DRAWER) | 1 |
| RB.40.40.D12
(40"W x 40"D x 12"H DRAWER) | 1 |



RB.88.28CP
(88"W x 28"D x CHECKERPLATE)



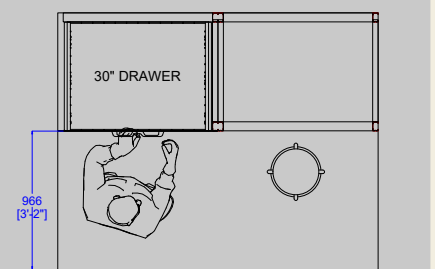
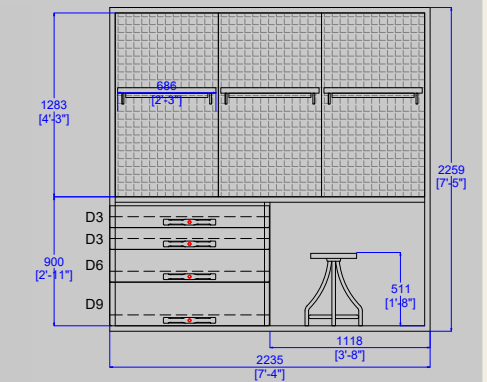
RB-E.12

LEFT SIDE -

- | | QTY |
|--|-----|
| RB.40.30.D3
(40"W x 30"D x 3"H DRAWER) | 2 |
| RB.40.30.D6
(40"W x 30"D x 6"H DRAWER) | 1 |
| RB.40.30.D9
(40"W x 30"D x 9"H DRAWER) | 1 |

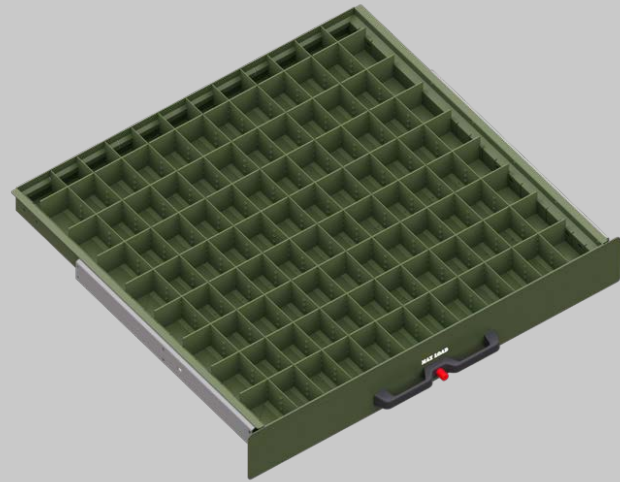
RIGHT SIDE -

- RB.E.WB**
END WORKBENCH - COMPLETE WITH:
- 88"W x 38"D CHECKERPLATE FLOOR
 - STAINLESS STEEL WORKTOP
 - PEGBOARD SURROUND
 - ELECTRICAL FITOUT
 - AIR COMPRESSOR optional with ports for air hoses.



MODULE DRAWERS RB40.40

AS STANDARD OUR DRAWERS COME WITH EQUAL COMPARTMENT LAYOUTS. THESE CAN BE CONFIGURED TO YOUR REQUIREMENTS



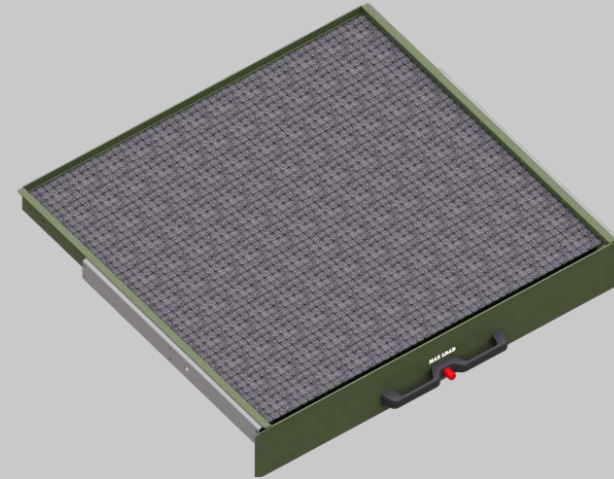
RB.40.40.D3

DRAWER SIZE - (40"W x 40"D x 3"H)
COMPARTMENT SIZE - 4"x3" - 96 No.
PARTITION - 40" - 11 No.
DIVIDER - 3" - 96 No.
CAPACITY - 400lbs
HANDLE - LOCK-IN / LOCK-OUT HANDLE



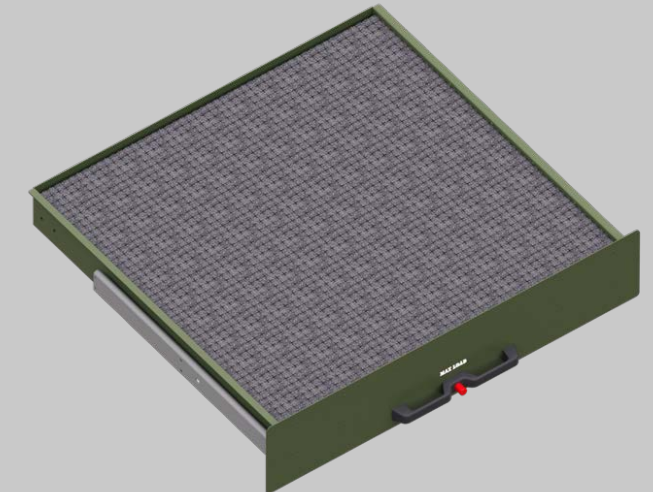
RB.40.40.D6

DRAWER SIZE - (40"W x 40"D x 6"H)
COMPARTMENT SIZE - 4"x6" - 48 No.
PARTITION - 40" - 5 No.
DIVIDER - 6" - 48 No.
CAPACITY - 400lbs
HANDLE - LOCK-IN / LOCK-OUT HANDLE



RB.40.40.D3F

DRAWER SIZE - (40"W x 40"D x 3"H)
COMPARTMENT SIZE - 2"x2" PRE-CUT FOAM CUBES
CAPACITY - 400lbs
HANDLE - LOCK-IN / LOCK-OUT HANDLE



RB.40.40.D6F

DRAWER SIZE - (40"W x 40"D x 6"H)
COMPARTMENT SIZE - 2"x2" PRE-CUT FOAM CUBES
CAPACITY - 400lbs
HANDLE - LOCK-IN / LOCK-OUT HANDLE



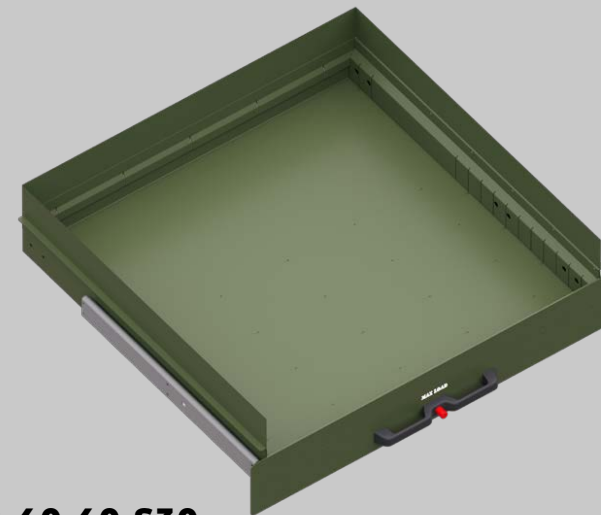
RB.40.40.D9

DRAWER SIZE - (40"W x 40"D x 9"H)
COMPARTMENT SIZE - 6"x9" - 20 No.
PARTITION - 40" - 3 No.
DIVIDER - 9" - 3 No.
CAPACITY - 400lbs
HANDLE - LOCK-IN / LOCK-OUT HANDLE



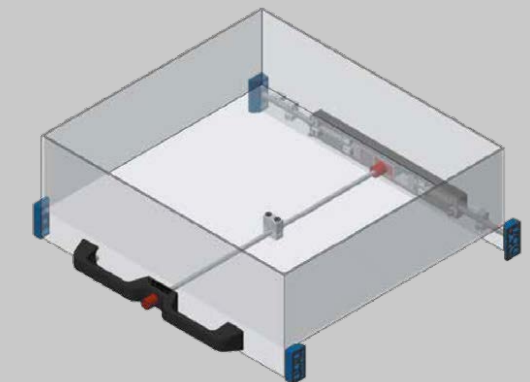
RB.40.40.D12

DRAWER SIZE - (40"W x 40"D x 12"H)
COMPARTMENT SIZE - 9"x12" - 12 No.
PARTITION - 40" - 2 No.
DIVIDER - 12" - 12 No.
CAPACITY - 400lbs
HANDLE - LOCK-IN / LOCK-OUT HANDLE



RB.40.40.S30

PULL-OUT SHELF SIZE - (40"W x 40"D x 30"H)
WITH TIE DOWN POINTS
CAPACITY - 400lbs
HANDLE - LOCK-IN / LOCK-OUT HANDLE



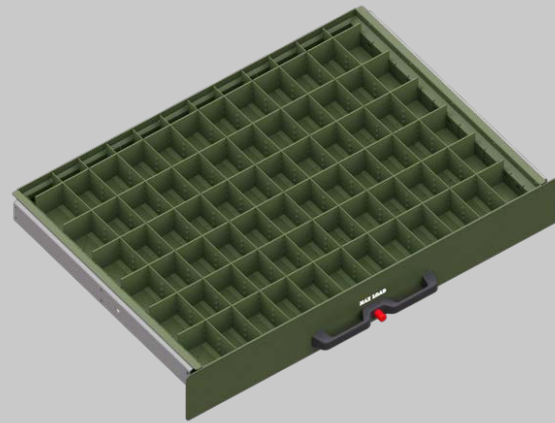
HANDLE - LOCK-IN / LOCK-OUT HANDLE

Easy to access and use and ideal for expeditionary movement. A single press the lock is opened and closed immediately.

MODULE DRAWERS

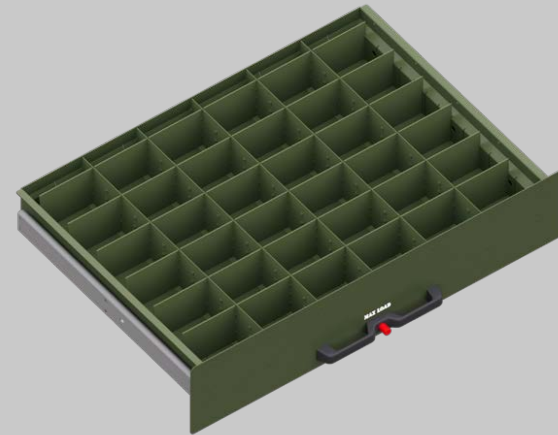
RB40.30

THESE ARE FOR RB.E.12 ONLY.



RB.40.30.D3

DRAWER SIZE - (40"W x 30"D x 3"H)
COMPARTMENT SIZE - 4"x3" - 72 No.
PARTITION - 30" - 11 No.
DIVIDER - 3" - 72 No.
CAPACITY - 400lbs
HANDLE - LOCK-IN / LOCK-OUT HANDLE



RB.40.30.D6

DRAWER SIZE - (40"W x 30"D x 6"H)
COMPARTMENT SIZE - 4"x6" - 36 No.
PARTITION - 30" - 5 No.
DIVIDER - 6" - 36 No.
CAPACITY - 400lbs
HANDLE - LOCK-IN / LOCK-OUT HANDLE



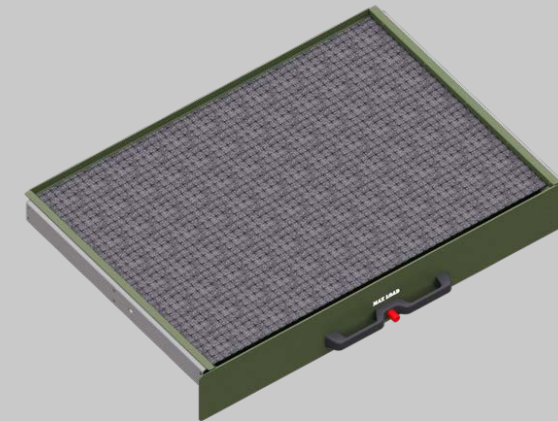
RB.40.30.D9

DRAWER SIZE - (40"W x 30"D x 9"H)
COMPARTMENT SIZE - 6"x9" - 16 No.
PARTITION - 30" - 3 No.
DIVIDER - 9" - 16 No.
CAPACITY - 400lbs
HANDLE - LOCK-IN / LOCK-OUT HANDLE



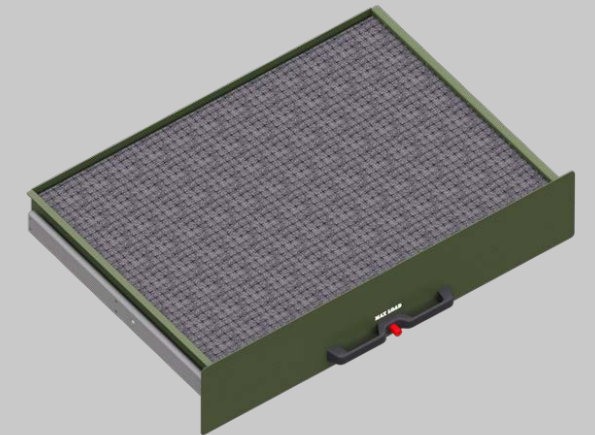
RB.40.30.D12

DRAWER SIZE - (40"W x 30"D x 12"H)
COMPARTMENT SIZE - 9"x12" - 12 No.
PARTITION - 30" - 2 No.
DIVIDER - 6" - 12 No.
CAPACITY - 400lbs
HANDLE - LOCK-IN / LOCK-OUT HANDLE



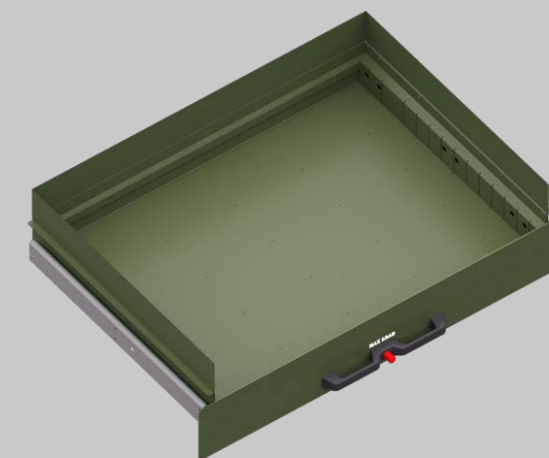
RB.40.30.D3F

DRAWER SIZE - (40"W x 30"D x 3"H)
COMPARTMENT SIZE - 2"x2" PRE-CUT FOAM CUBES
CAPACITY - 400lbs
HANDLE - LOCK-IN / LOCK-OUT HANDLE



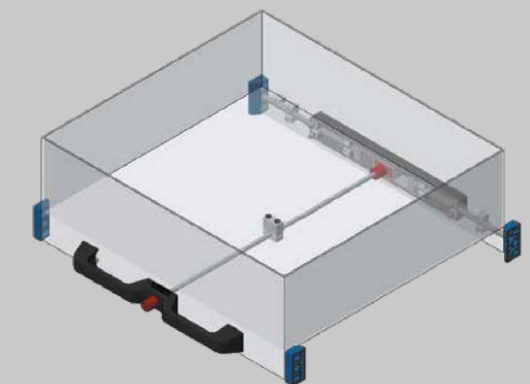
RB.40.30.D6F

DRAWER SIZE - (40"W x 30"D x 6"H)
COMPARTMENT SIZE - 2"x2" PRE-CUT FOAM CUBES
CAPACITY - 400lbs
HANDLE - LOCK-IN / LOCK-OUT HANDLE



RB.40.30.S30

PULL-OUT SHELF SIZE - (40"W x 30"D x 30"H)
WITH TIE DOWN POINTS
CAPACITY - 400lbs
HANDLE - LOCK-IN / LOCK-OUT HANDLE

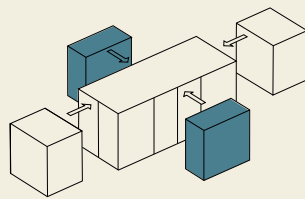


HANDLE - LOCK-IN / LOCK-OUT HANDLE

Easy to access and use and ideal for expeditionary movement. A single press the lock is opened and closed immediately.

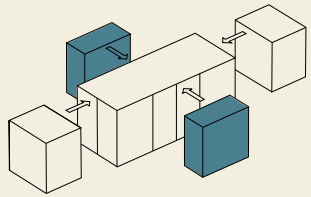


2/ MID MODULES



MID MODULES

▼ **MID MODULES WORK BY BEING ACCESSED FROM ONE SIDE CARGO DOORS ONLY.**
x1 FOR EACH SIDE



RB-M.01

BULKRACK -

RB.88.40BR
(88"W x 40"D x BULKRACK)

QTY

1

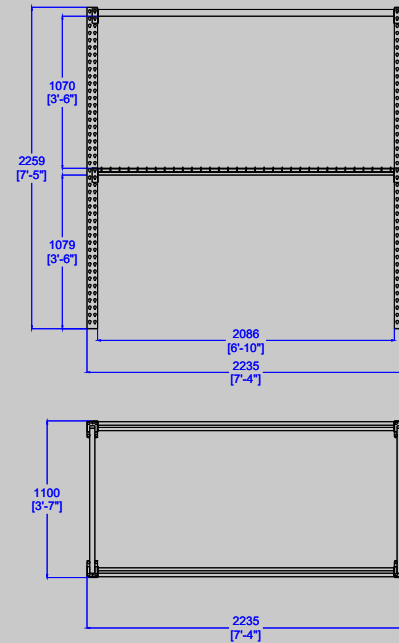
RB.88.40BRP
(88"W x 40"D x PLATFORM)

1

RB.88.40CP
(88"W x 40"D x CHECKERPLATE)

1

CAPACITY PER PLATFORM - 2000lbs



RB-M.03

BULKRACK -

RB.88.40BR
(88"W x 40"D x BULKRACK)

QTY

1

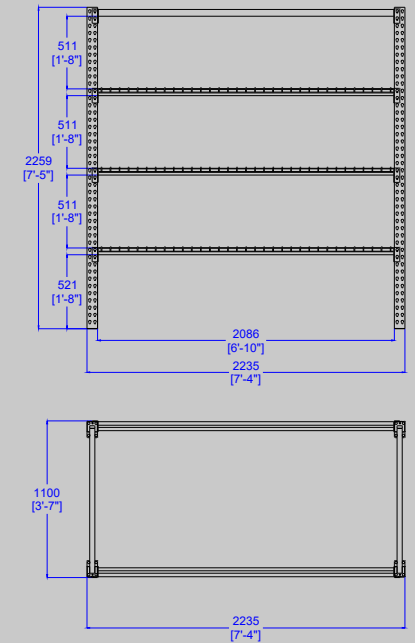
RB.88.40BRP
(88"W x 40"D x PLATFORM)

3

RB.88.40CP
(88"W x 40"D x CHECKERPLATE)

1

CAPACITY PER PLATFORM - 2000lbs



RB-M.02

BULKRACK -

RB.88.40BR
(88"W x 40"D x BULKRACK)

QTY

1

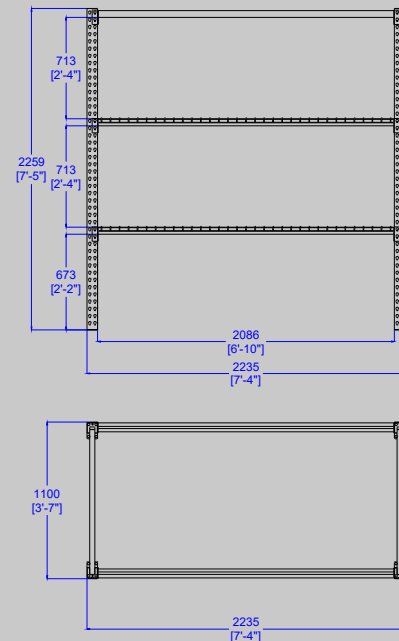
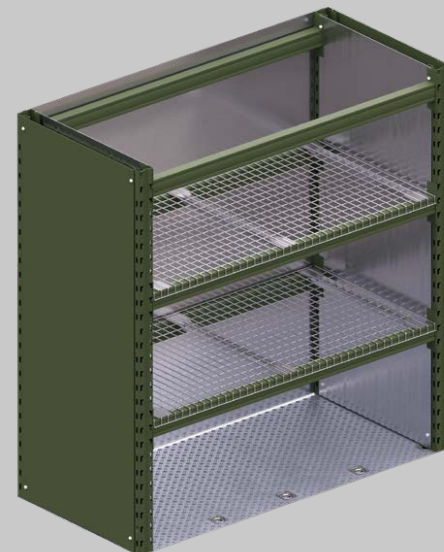
RB.88.40BRP
(88"W x 40"D x PLATFORM)

2

RB.88.40CP
(88"W x 40"D x CHECKERPLATE)

1

CAPACITY PER PLATFORM - 2000lbs



RB-M.04

BULKRACK -

RB.88.40BR
(88"W x 40"D x BULKRACK)

QTY

1

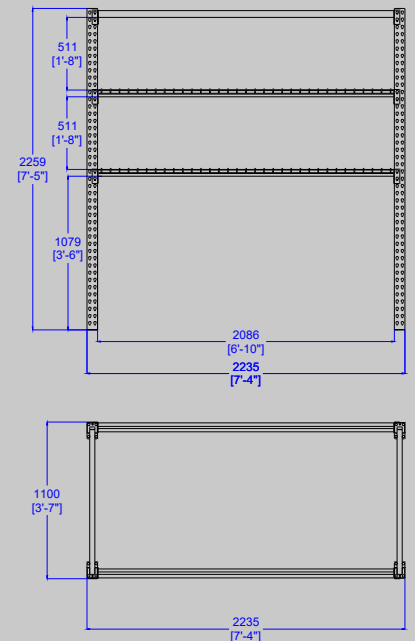
RB.88.40BRP
(88"W x 40"D x PLATFORM)

4

RB.88.40CP
(88"W x 40"D x CHECKERPLATE)

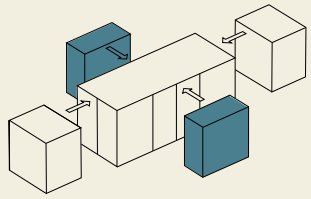
1

CAPACITY PER PLATFORM - 2000lbs



MID MODULES

AS STANDARD OUR DRAWERS COME WITH EQUAL COMPARTMENT LAYOUTS. THESE CAN BE CONFIGURED TO YOUR REQUIREMENTS



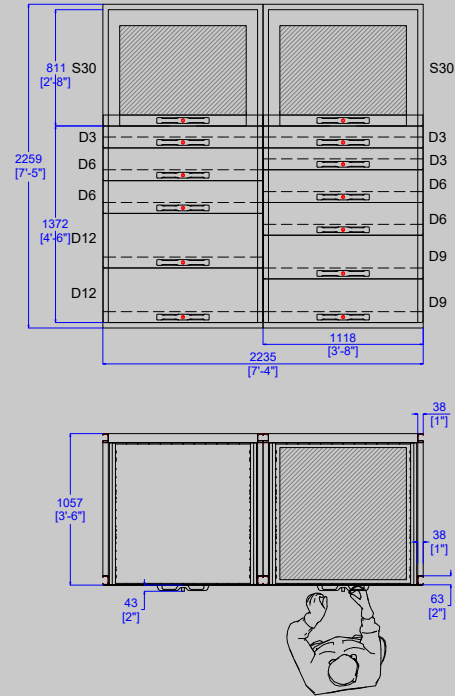
RB-M.05

LEFT SIDE - QTY

- RB.40.40.S30** 1
(40"W x 40"D x 30"H PULLOUT SHELF)
- RB.40.40.D3** 1
(40"W x 40"D x 3"H DRAWER)
- RB.40.40.D6** 2
(40"W x 40"D x 6"H DRAWER)
- RB.40.40.D12** 2
(40"W x 40"D x 12"H DRAWER)

RIGHT SIDE - QTY

- RB.40.40.S30** 1
(40"W x 40"D x 30"H PULLOUT SHELF)
- RB.40.40.D3** 2
(40"W x 40"D x 3"H DRAWER)
- RB.40.40.D6** 2
(40"W x 40"D x 6"H DRAWER)
- RB.40.40.D9** 2
(40"W x 40"D x 9"H DRAWER)



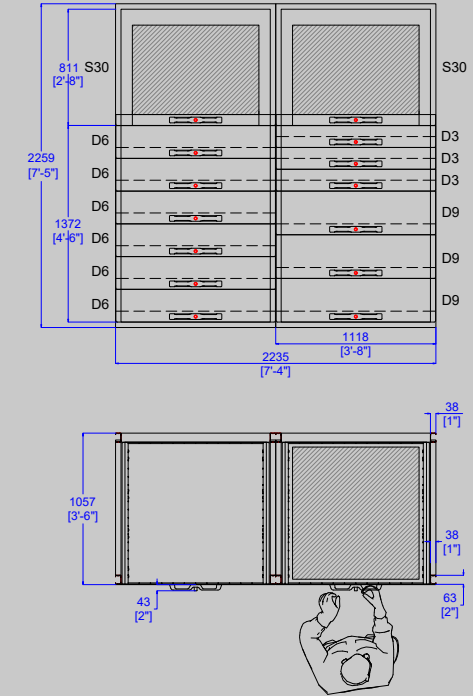
RB-M.07

LEFT SIDE - QTY

- RB.40.40.S30** 1
(40"W x 40"D x 30"H PULLOUT SHELF)
- RB.40.40.D6** 6
(40"W x 40"D x 6"H DRAWER)

RIGHT SIDE - QTY

- RB.40.40.S30** 1
(40"W x 40"D x 30"H PULLOUT SHELF)
- RB.40.40.D3** 3
(40"W x 40"D x 3"H DRAWER)
- RB.40.40.D9** 3
(40"W x 40"D x 9"H DRAWER)



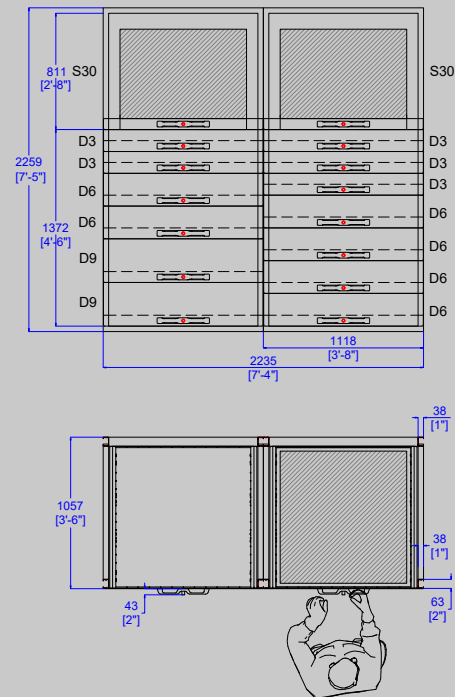
RB-M.06

LEFT SIDE - QTY

- RB.40.40.S30** 1
(40"W x 40"D x 30"H PULLOUT SHELF)
- RB.40.40.D3** 2
(40"W x 40"D x 3"H DRAWER)
- RB.40.40.D6** 2
(40"W x 40"D x 6"H DRAWER)
- RB.40.40.D9** 2
(40"W x 40"D x 9"H DRAWER)

RIGHT SIDE - QTY

- RB.40.40.S30** 1
(40"W x 40"D x 30"H PULLOUT SHELF)
- RB.40.40.D3** 3
(40"W x 40"D x 3"H DRAWER)
- RB.40.40.D6** 4
(40"W x 40"D x 6"H DRAWER)



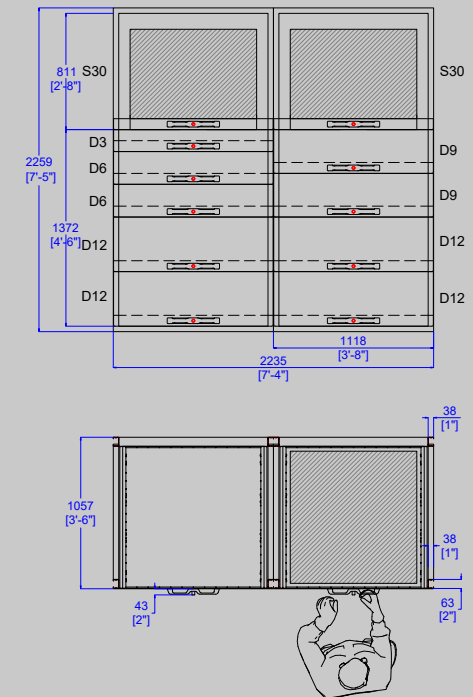
RB-M.08

LEFT SIDE - QTY

- RB.40.40.S30** 1
(40"W x 40"D x 30"H PULLOUT SHELF)
- RB.40.40.D3** 1
(40"W x 40"D x 3"H DRAWER)
- RB.40.40.D6** 2
(40"W x 40"D x 6"H DRAWER)
- RB.40.40.D12** 2
(40"W x 40"D x 12"H DRAWER)

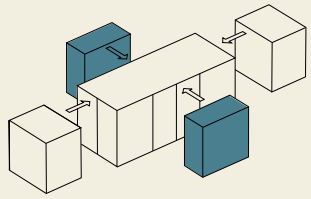
RIGHT SIDE - QTY

- RB.40.40.S30** 1
(40"W x 40"D x 30"H PULLOUT SHELF)
- RB.40.40.D9** 2
(40"W x 40"D x 9"H DRAWER)
- RB.40.40.D12** 2
(40"W x 40"D x 12"H DRAWER)



MID MODULES

AS STANDARD OUR DRAWERS COME WITH EQUAL COMPARTMENT LAYOUTS. THESE CAN BE CONFIGURED TO YOUR REQUIREMENTS



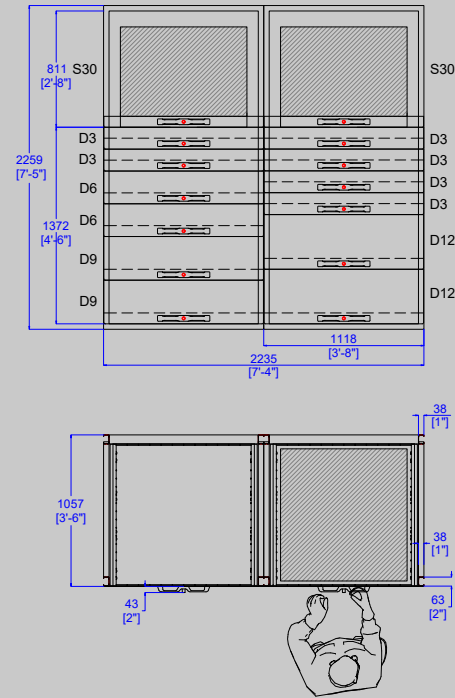
RB-M.09

LEFT SIDE -

- | | QTY |
|---|------------|
| RB.40.40.S30
(40"W x 40"D x 30"H PULLOUT SHELF) | 1 |
| RB.40.40.D3
(40"W x 40"D x 3"H DRAWER) | 2 |
| RB.40.40.D6
(40"W x 40"D x 6"H DRAWER) | 2 |
| RB.40.40.D9
(40"W x 40"D x 9"H DRAWER) | 2 |

RIGHT SIDE -

- | | QTY |
|---|------------|
| RB.40.40.S30
(40"W x 40"D x 30"H PULLOUT SHELF) | 1 |
| RB.40.40.D3
(40"W x 40"D x 3"H DRAWER) | 4 |
| RB.40.40.D12
(40"W x 40"D x 12"H DRAWER) | 2 |



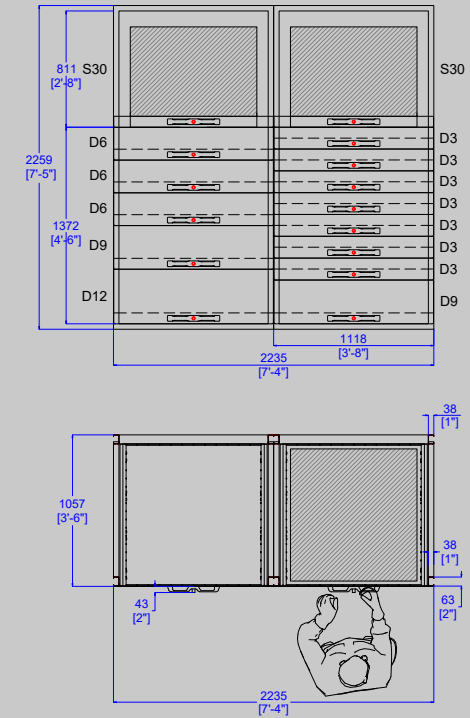
RB-M.11

LEFT SIDE -

- | | QTY |
|---|------------|
| RB.40.40.S30
(40"W x 40"D x 30"H PULLOUT SHELF) | 1 |
| RB.40.40.D6
(40"W x 40"D x 6"H DRAWER) | 3 |
| RB.40.40.D9
(40"W x 40"D x 9"H DRAWER) | 1 |
| RB.40.40.D12
(40"W x 40"D x 12"H DRAWER) | 1 |

RIGHT SIDE -

- | | QTY |
|---|------------|
| RB.40.40.S30
(40"W x 40"D x 30"H PULLOUT SHELF) | 1 |
| RB.40.40.D3
(40"W x 40"D x 3"H DRAWER) | 7 |
| RB.40.40.D9
(40"W x 40"D x 9"H DRAWER) | 1 |



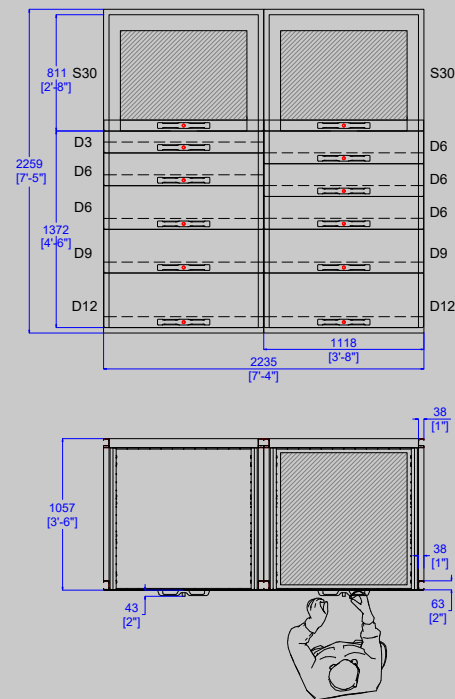
RB-M.10

LEFT SIDE -

- | | QTY |
|---|------------|
| RB.40.40.S30
(40"W x 40"D x 30"H PULLOUT SHELF) | 1 |
| RB.40.40.D3
(40"W x 40"D x 3"H DRAWER) | 1 |
| RB.40.40.D6
(40"W x 40"D x 6"H DRAWER) | 2 |
| RB.40.40.D9
(40"W x 40"D x 9"H DRAWER) | 1 |
| RB.40.40.D12
(40"W x 40"D x 12"H DRAWER) | 1 |

RIGHT SIDE -

- | | QTY |
|---|------------|
| RB.40.40.S30
(40"W x 40"D x 30"H PULLOUT SHELF) | 1 |
| RB.40.40.D6
(40"W x 40"D x 6"H DRAWER) | 3 |
| RB.40.40.D9
(40"W x 40"D x 9"H DRAWER) | 1 |
| RB.40.40.D12
(40"W x 40"D x 12"H DRAWER) | 1 |



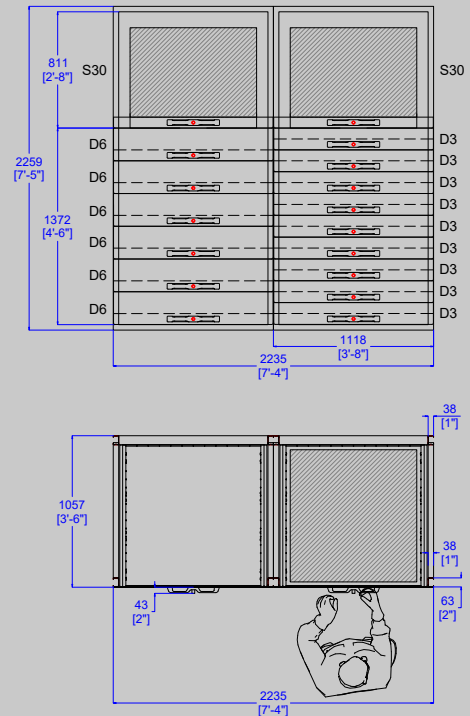
RB-M.12

LEFT SIDE -

- | | QTY |
|---|------------|
| RB.40.40.S30
(40"W x 40"D x 30"H PULLOUT SHELF) | 1 |
| RB.40.40.D6
(40"W x 40"D x 6"H DRAWER) | 6 |

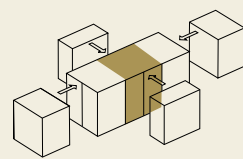
RIGHT SIDE -

- | | QTY |
|---|------------|
| RB.40.40.S30
(40"W x 40"D x 30"H PULLOUT SHELF) | 1 |
| RB.40.40.D3
(40"W x 40"D x 3"H DRAWER) | 9 |

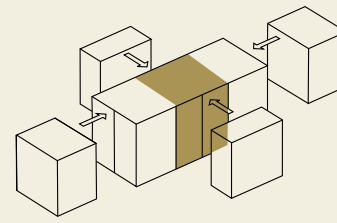




3/ COMBINED MID MODULES



COMBINED MID MODULES



RB-CM.01

BULKCRACK -

RB.88.88BR
(88"W x 88"D x BULKCRACK)

QTY

1

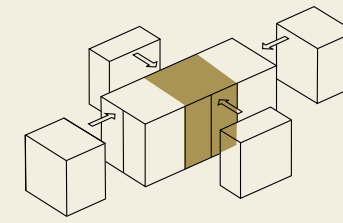
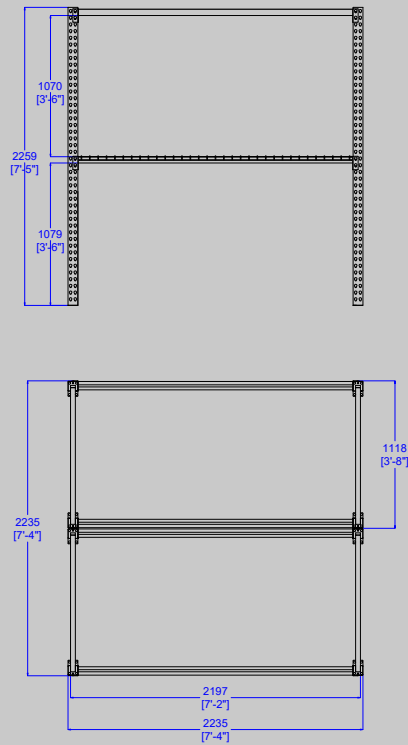
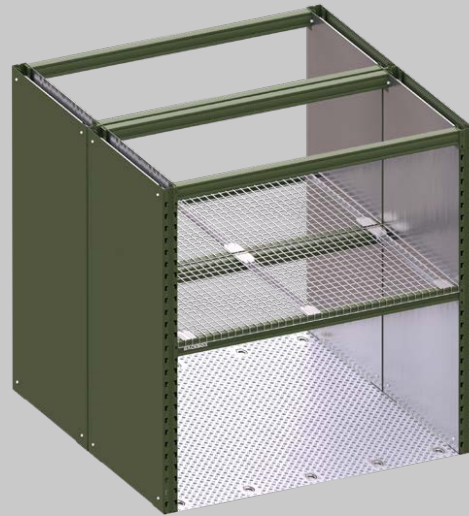
RB.88.88BRP
(88"W x 88"D x PLATFORM)

1

RB.88.88CP
(88"W x 88"D x CHECKERPLATE)

1

CAPACITY PER PLATFORM - 2000lbs



RB-CM.03

BULKCRACK -

RB.88.88BR
(88"W x 88"D x BULKCRACK)

QTY

1

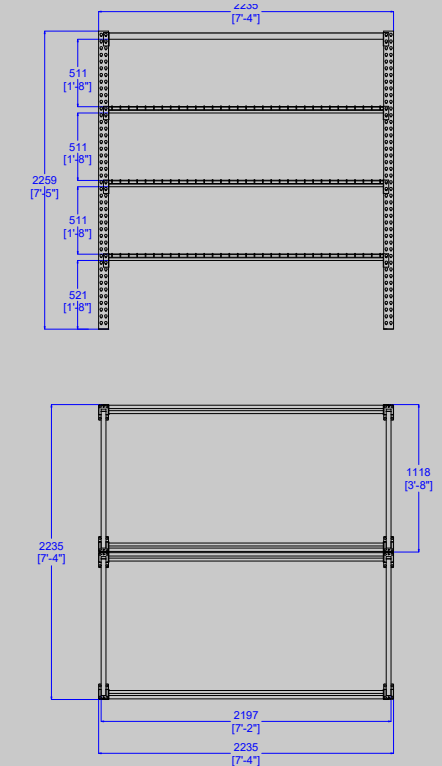
RB.88.88BRP
(88"W x 88"D x PLATFORM)

3

RB.88.88CP
(88"W x 88"D x CHECKERPLATE)

1

CAPACITY PER PLATFORM - 2000lbs



RB-CM.02

BULKCRACK -

RB.88.88BR
(88"W x 88"D x BULKCRACK)

QTY

1

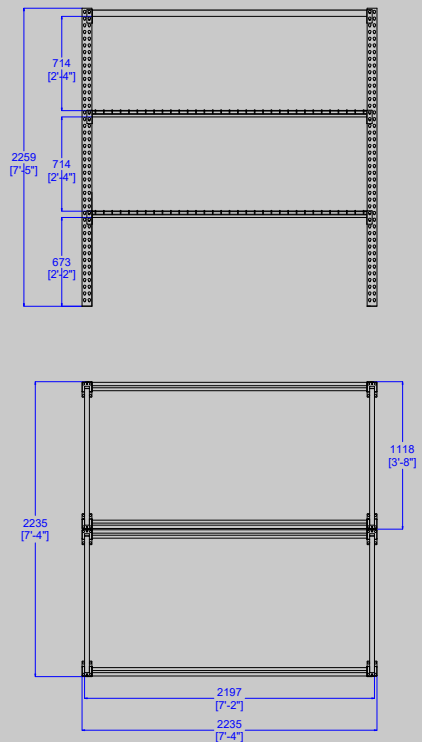
RB.88.88BRP
(88"W x 88"D x PLATFORM)

2

RB.88.88CP
(88"W x 88"D x CHECKERPLATE)

1

CAPACITY PER PLATFORM - 2000lbs



RB-CM.04

BULKCRACK -

RB.88.88BR
(88"W x 88"D x BULKCRACK)

QTY

1

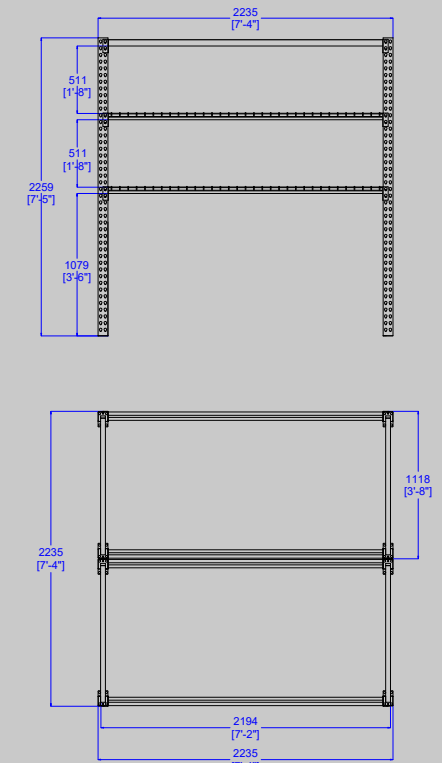
RB.88.88BRP
(88"W x 88"D x PLATFORM)

2

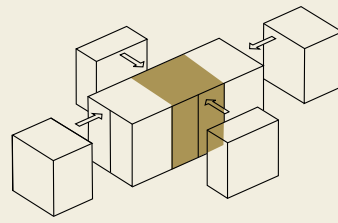
RB.88.88CP
(88"W x 88"D x CHECKERPLATE)

1

CAPACITY PER PLATFORM - 2000lbs



COMBINED MID MODULES



RB-CM.05

SIDE A-

LEFT SIDE - QTY

RB.40.24.S30 (40"W x 24"D x 30"H PULLOUT SHELF)	1
RB.40.24.D3 (40"W x 24"D x 3"H DRAWER)	1
RB.40.24.D6 (40"W x 24"D x 6"H DRAWER)	2
RB.40.24.D12 (40"W x 24"D x 12"H DRAWER)	2

RIGHT SIDE - QTY

RB.40.24.S30 (40"W x 24"D x 30"H PULLOUT SHELF)	1
RB.40.24.D3 (40"W x 24"D x 3"H DRAWER)	2
RB.40.24.D6 (40"W x 24"D x 6"H DRAWER)	2
RB.40.24.D9 (40"W x 24"D x 9"H DRAWER)	2

SIDE B-

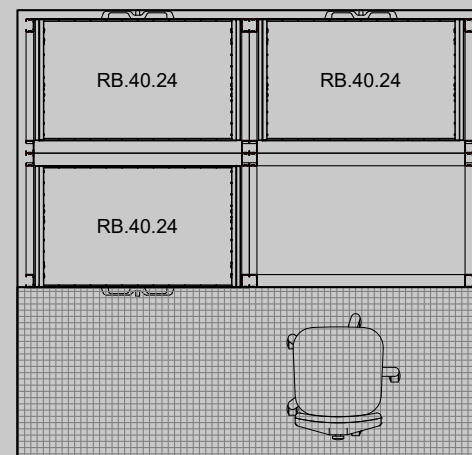
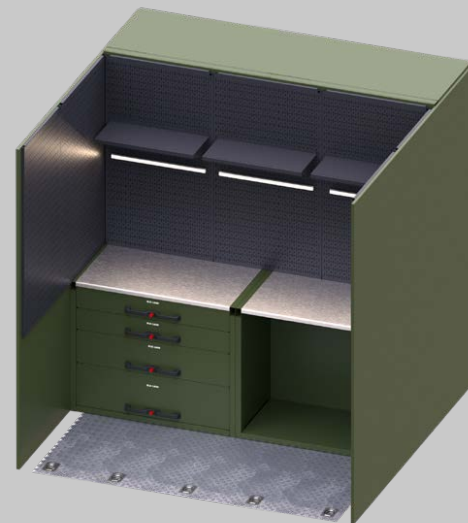
LEFT SIDE - QTY

RB.40.24.D3 (40"W x 24"D x 3"H DRAWER)	2
RB.40.24.D6 (40"W x 24"D x 6"H DRAWER)	1
RB.40.24.D9 (40"W x 24"D x 9"H DRAWER)	1

RIGHT SIDE -

RB.E.WB24
END WORKBENCH - COMPLETE WITH:

- 88"W x 38"D CHECKERPLATE FLOOR
- STAINLESS STEEL WORKTOP
- PEGBOARD SURROUND
- ELECTRICAL FITOUT
- AIR COMPRESSOR optional with ports for air hoses.



RB-CM.06

SIDE A-

LEFT SIDE - QTY

RB.40.24.S30 (40"W x 24"D x 30"H PULLOUT SHELF)	1
RB.40.24.D3 (40"W x 24"D x 3"H DRAWER)	1
RB.40.24.D6 (40"W x 24"D x 6"H DRAWER)	2
RB.40.24.D12 (40"W x 24"D x 12"H DRAWER)	2

RIGHT SIDE - QTY

RB.40.24.S30 (40"W x 24"D x 30"H PULLOUT SHELF)	1
RB.40.24.D3 (40"W x 24"D x 3"H DRAWER)	2
RB.40.24.D6 (40"W x 24"D x 6"H DRAWER)	2
RB.40.24.D9 (40"W x 24"D x 9"H DRAWER)	2

SIDE B-

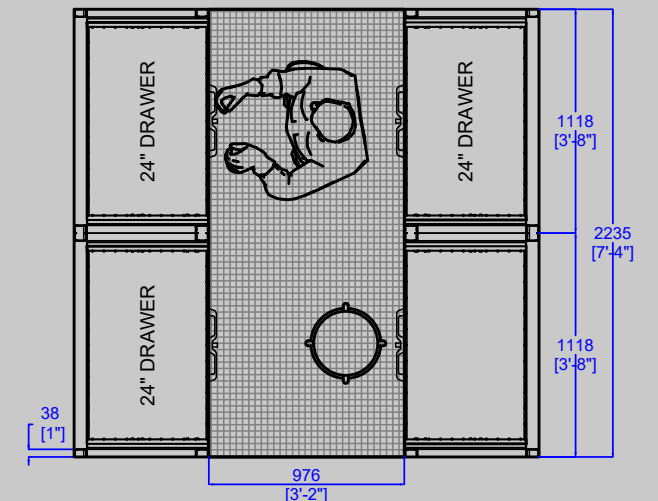
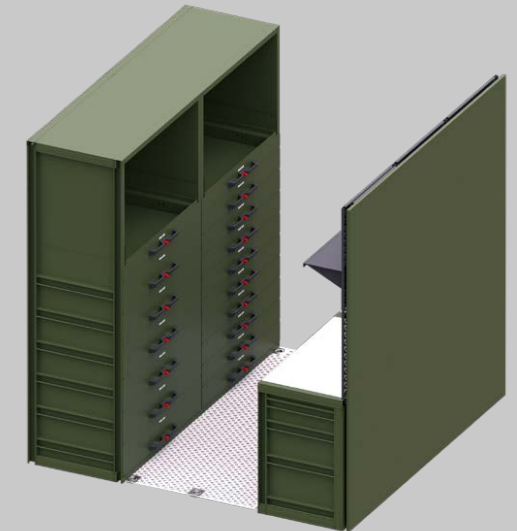
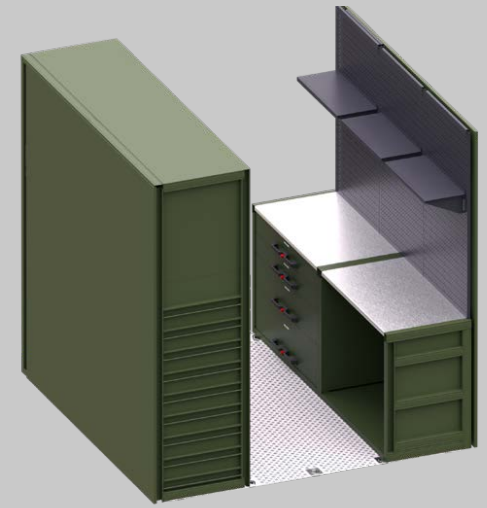
LEFT SIDE - QTY

RB.40.24.D3 (40"W x 24"D x 3"H DRAWER)	2
RB.40.24.D6 (40"W x 24"D x 6"H DRAWER)	1
RB.40.24.D9 (40"W x 24"D x 9"H DRAWER)	1

RIGHT SIDE -

RB.E.WB24
END WORKBENCH - COMPLETE WITH:

- 88"W x 38"D CHECKERPLATE FLOOR
- STAINLESS STEEL WORKTOP
- PEGBOARD SURROUND
- ELECTRICAL FITOUT
- AIR COMPRESSOR optional with ports for air hoses.





WWW.BAN-AIR.COM
SALES@BAN-AIR.COM

